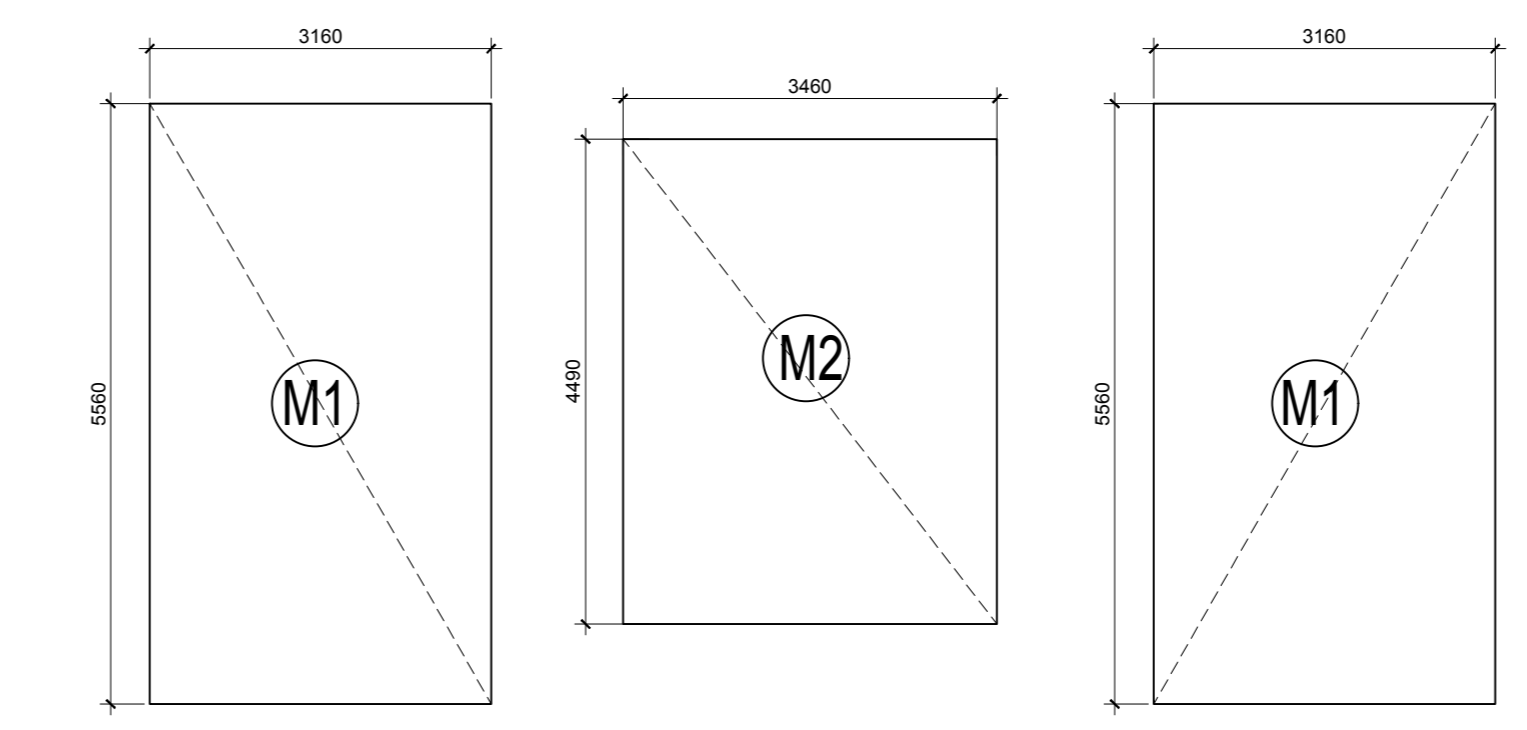
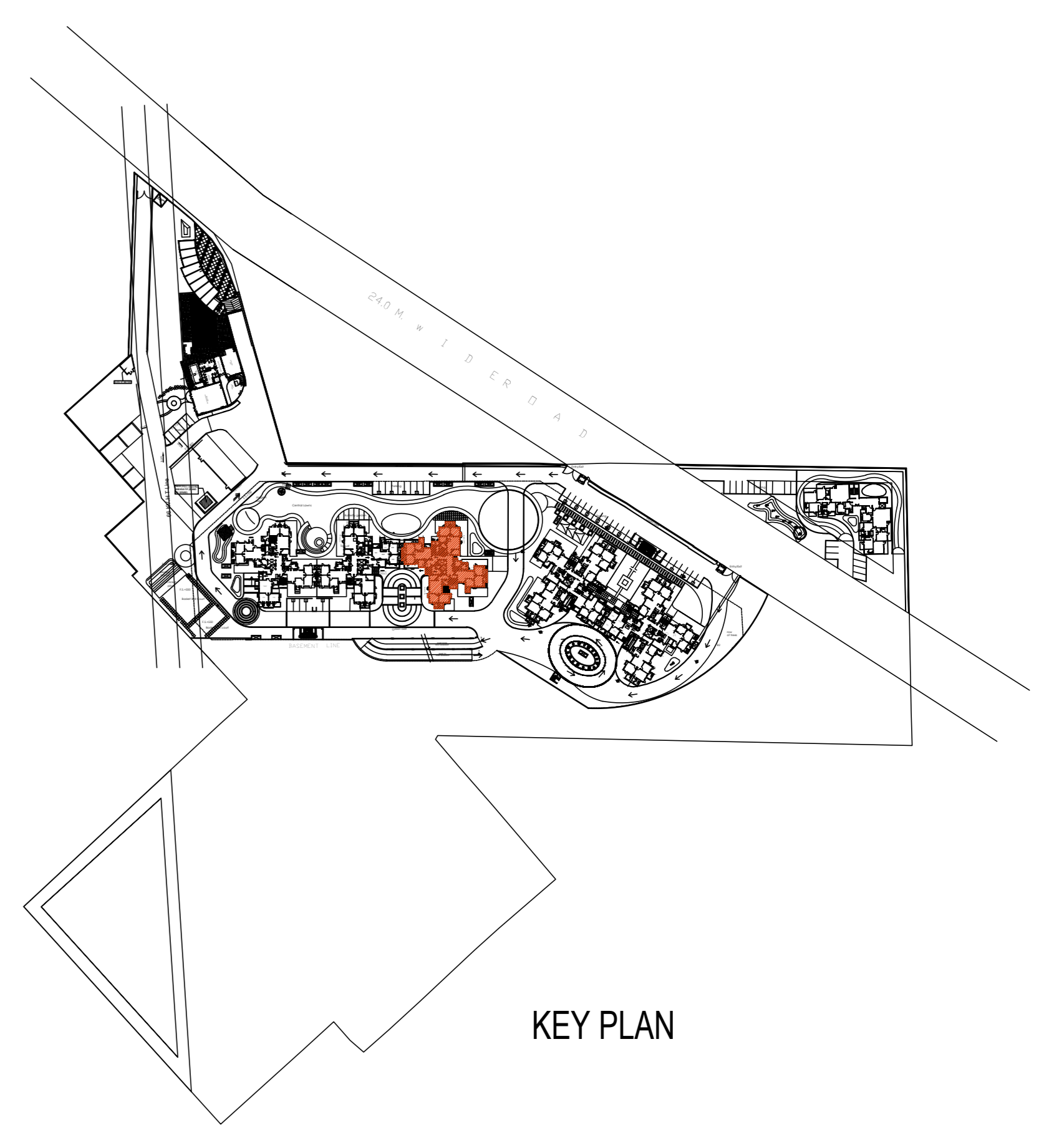


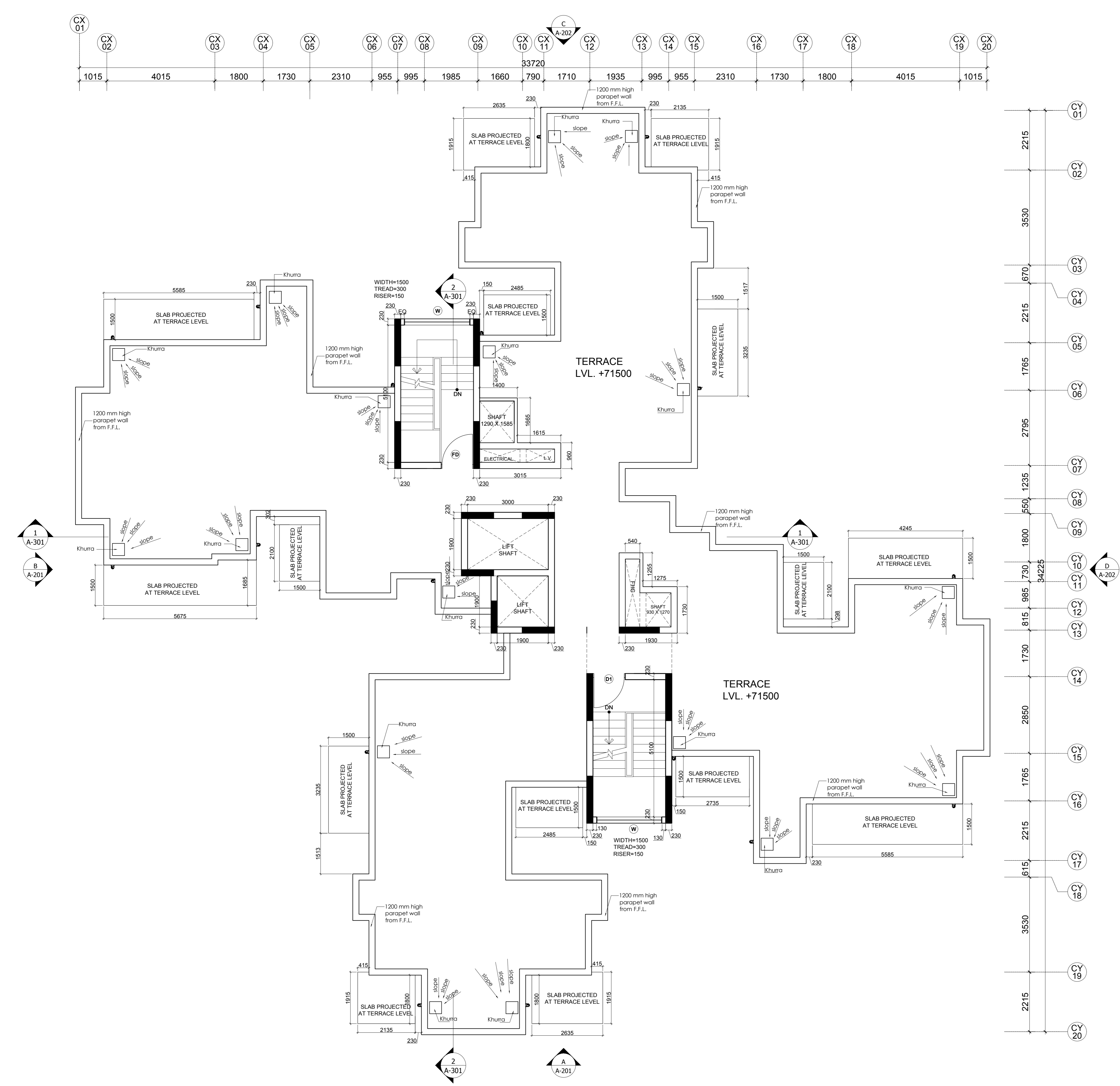
TOWER C - MUMTY AND MACH. ROOM						
TOTAL AREA	LENGTH	WIDTH	AREA	NO.	TOTAL	
M1	3.16	5.56	0	17.570	2	35.139 SQMT.
M2	3.46	4.49	0	15.535	1	15.535 SQMT.
TOTAL (A)					50.675	SQMT.



MUMTY AND MACH. ROOM AREA DIAGRAM



KEY PLAN



DOOR SCHEDULE				
S.NO.	TYPE	SIZE	CLLAINTEL LEVEL	LINTEL LEVEL
1	D1	1200 X 2100	00	2100
2	D2	1000 X 2100	00	2100
3	D3	900 X 2100	00	2100
4	D4	750 X 2100	00	2100
5	D4*	750 X 2400	00	2400
6	DW	2500 X 2400 / 2100	00/300	2400
7	DW1	2100 X 2400 / 2100	00/300	2400
8	DW2	1750 X 2400 / 2100	00/300	2400
9	DW3	1530 X 2400 / 1350	00/1050	2400
10	DW4	1250 X 2400 / 1350	00/1050	2400
11	DW2*	1750 X 2400 / 1350	00/1050	2400
12	FD	1200 X 2100	00	2100

WINDOW SCHEDULE				
S.NO.	TYPE	SIZE	CLLAINTEL LEVEL	LINTEL LEVEL
1	W	2400 X AS/STAIR CASE DETAIL		
2	W1	1780 X 2100	300	2400
3	W2	1600 X 2100	300	2400
4	W3	1400 X 2100	300	2400
5	W4	1200 X 1350	1050	2400
6	W5	1000 X 2100	300	2400
7	V	600 X 1200	1200	2400
8	V1	450 X 1400	1000	2400

ACCESS DOOR				
S.NO.	TYPE	SIZE	CLLAINTEL LEVEL	LINTEL LEVEL
1	AD1	1200 X 1800	300	2100
2	AD2	1000 X 1800	300	2100

PROJECT:-
PROPOSED
PROPOSED GROUP HOUSING AT PLOT NO.-
THE ESPHERA' AT SECTOR-37 C, GURGAON
FOR -----

ARCHITECT'S SIGNATURE

CLIENT'S SIGNATURE

LOCAL AUTHORITY SUBMISSION

SCALE : 1:100

DATE : ----

SUBMISSION DRAWING

TOWER (C)
TERRACE PLAN

DESIGN FORUM
OF ARCHITECTS
www.dfa.in
C - 10, SECTOR - 3, NOIDA - 201301
(NCR DELHI) INDIA
TEL : +91 120 460 1000
FAX : +91 120 460 1000
dfaconsultants@gmail.com

DRG. NO.
103
REV.
N